

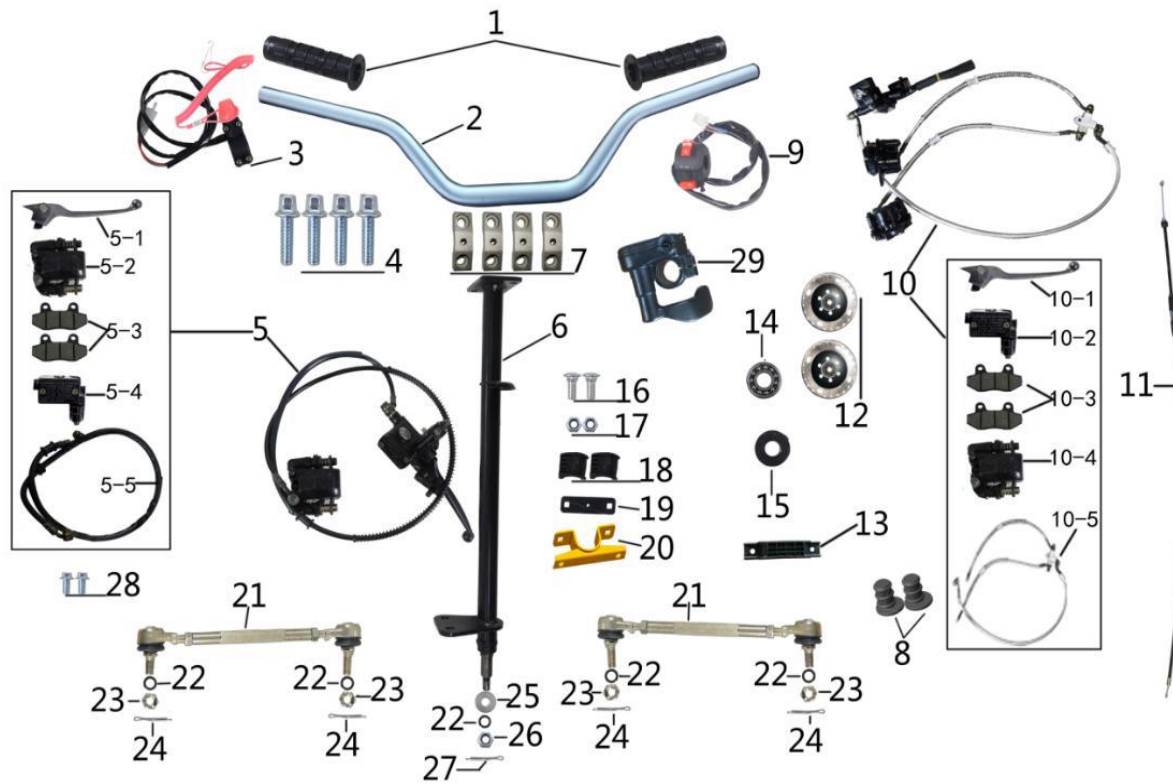


SHSCHEMATICS AND PARTS LIST



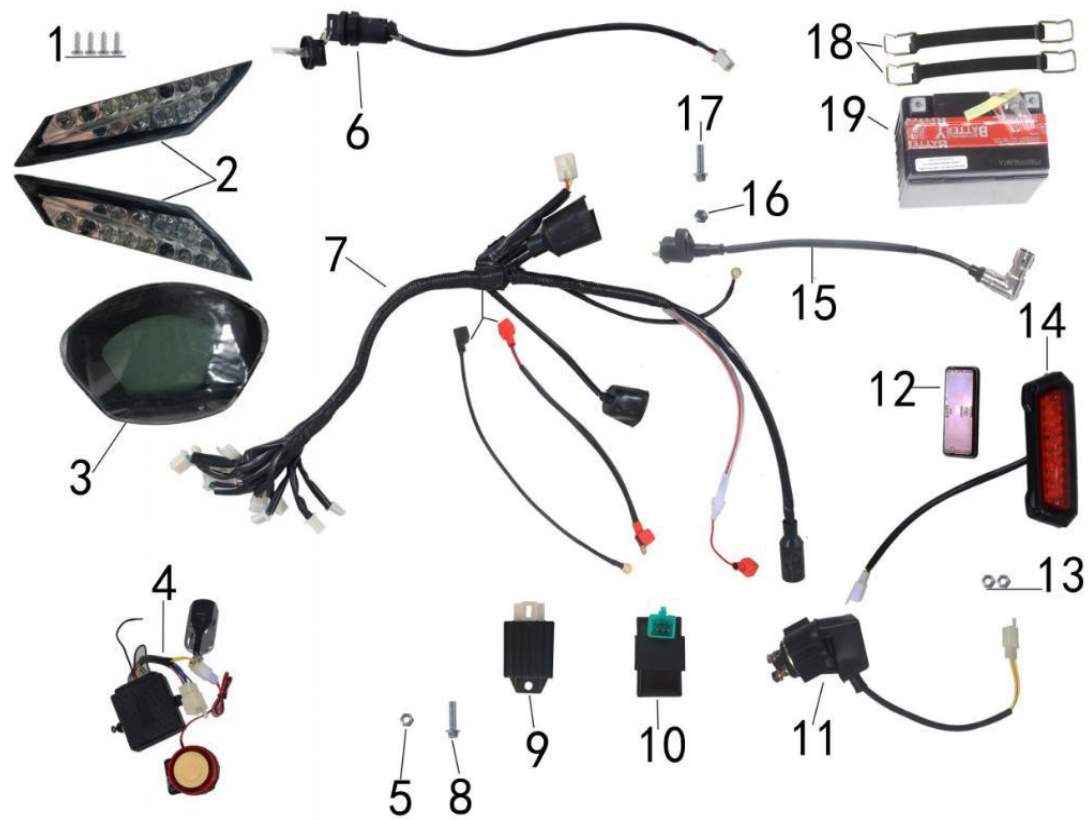
覆盖件系统Cover system

No.	English name	Qty	ERP No.	No.	English name	Qty	ERP No.
1	Bumper - Front	1	606251				
2	Front Decoration board	1	606249				
3	Speedometer Cover	1	606253				
4	Front Face board	1	606248				
5	Plastic Front Body	1	606246				
6	Left and Right Footrest	1付	606250				
7	Plastic Rear Body	1	606247				
8	Decoration Rim Hub Cover	4	606247				
9	Hex Flange Bolt; M6x12	2	105131				
10	Cross Self Tapping Screw; CT4.2x12	4	105382				
11	Self Tapping Clip; M4.2	6	105873				
12	Flat Washer; φ6×φ22×1.5	8	105455				
13	Double lock Hex Socket Bolt; φ8×M6×20	8	113219				
14	Flat Washer; φ6x16x1.5	18	105450				
15	Large flat head hex socket bolt; M6x16	15	110887				
16	Large flat head hex socket bolt; M6x12	26	113217				
17	Cross Large flat head bolt; M6x16	2	104787				
18	Flat Washer; φ8×φ20×1.5	18	105466				
19	Flat washer; φ6×φ22×1.5	22	101701				
20	Seat Shock Absorption Pusher	2	112957				
21	Cross Self Tapping Screw; CT4.2x12	16	601797				
22	Peelable Shockproof Rubber Parts	8	112956				
23	Handguard	1付	605524				
24	Seat	1	606255				
25	Rear Rack Tray	1	602452				



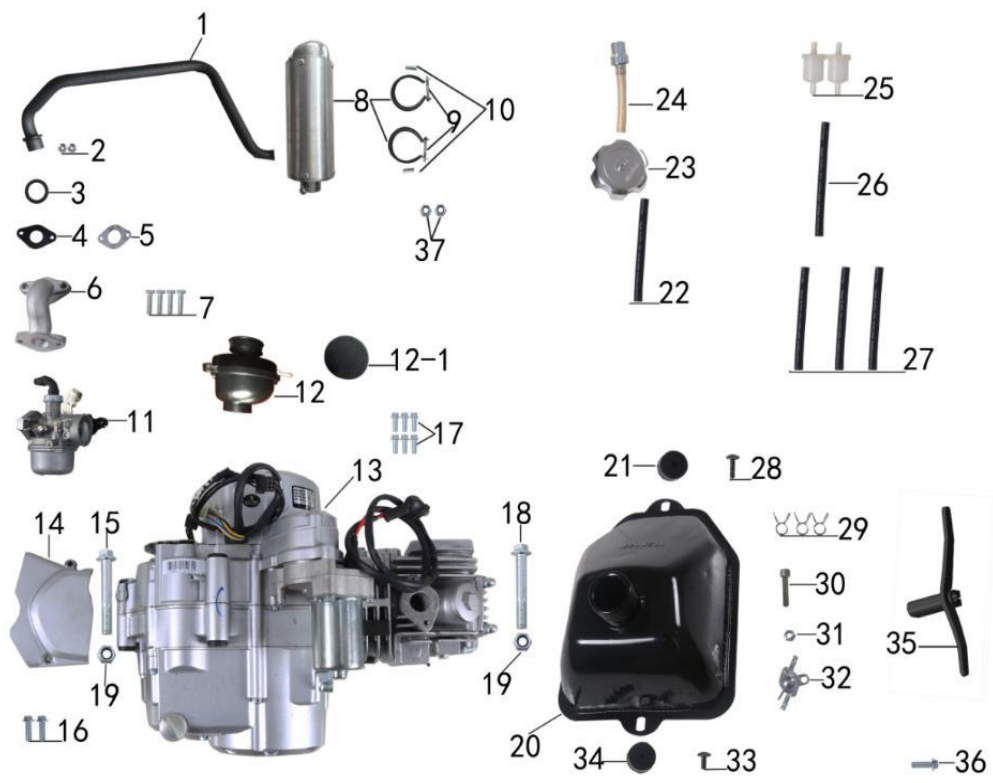
转向系统Turning system

No.	English name	Specification	Qty	ERP No.	No.	English name	Qty	ERP No.
1	Hand Grip Set ATA 110 C	同小捷豹	1套	112951	17	Locknut; M8	6	105276
2	Handle bar (variable diameter pipe) Aluminium	专用	1	606244	18	Steering Shaft Clamp	2	112478
3	Tether Switches ATA110-B	同小50	1	109514	19	Triple tree install	1	112537
4	Hex Flange Bolt; M8x50	M8*50	4	105231	20	Steering Shaft Fixed	1	605451
5	Rear Disk Brake Assembly		1套	116306	21	the rod Assembly;	2	101529
5-1	Brake Lever Only- Left		1	117229	22	Spring Washer	5	104867
5-2	Rear Disk Brake Camper		1	117227	23	Castle Nut; M10x1.5	4	105321
5-3	Rear Disk Brake Pad		1	117228	24	Cotter Pin; φ2.5x30	4	105338
5-4	Rear Disk Brake Camper		1	606281	25	Flat washer;	1	105393
5-5	Rear Disk Brake Line		1	117230	26	Locknut; M10x1.5	1	105256
6	Triple Tree	专用	1	606257	27	Cotter Pin; φ3x25	1	109643
7	Handle Bar Clamp	专用	1套	606700	28	Hex Flange Bolt;	2	105194
8	Steering Shaft Dust blocks		2	115426	29	Aluminum oiler	1	101674
9	Left handle bar switch	同小50	1	116309				
10	Front Disk Brake	一拖二	1套	100737				
10-1	Brake Lever Only- Right		1	606355				
10-2	Front Disk Brake Camper		1	606356				
10-3	Front Disk Brake Pad		1付	606357				
10-4	Front Disk Brake Camper		1	606358				
10-5	Front Disk Brake Line		1	606359				
11	Throttle Cable;	通用小公牛	1	102527				
12	Front Brake Cable;	φ110	2	606280				
13	Wire Clamp		1	605519				
14	Needle roller bearing;	2202	1	111476				
15	Oil Seal; 17x35x7	17*35*7	1	111485				
16	Coach screw;M8*20	M8*20 镀白锌	2	105363				



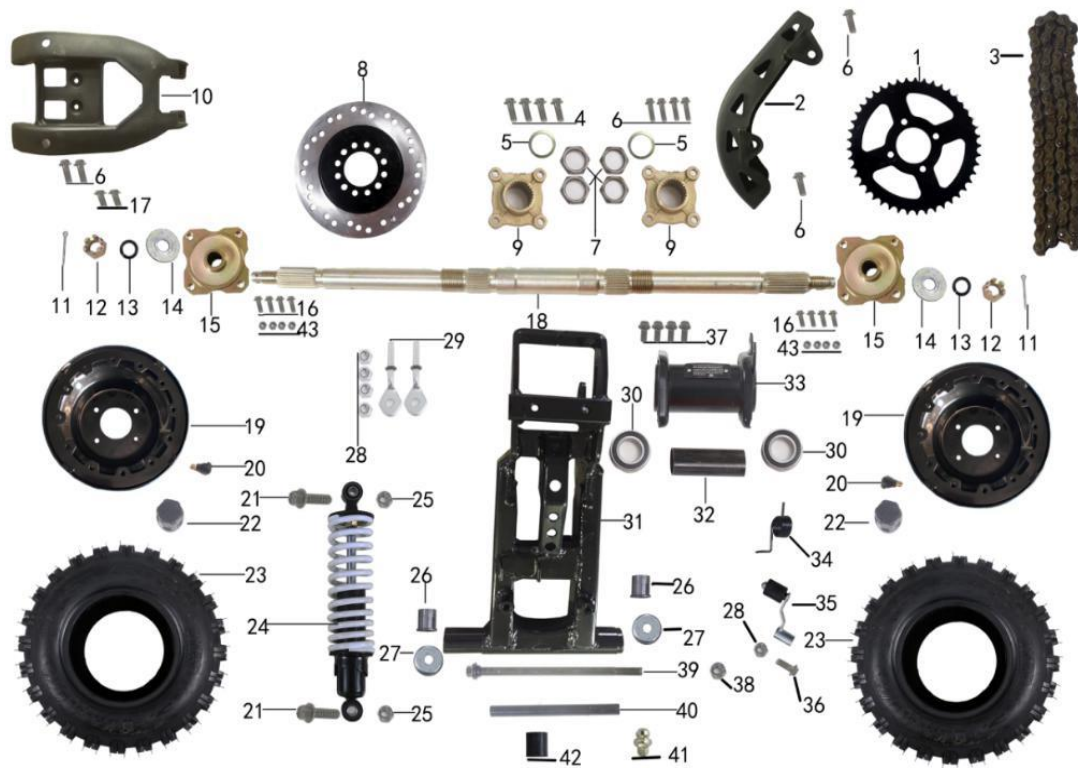
电器件系统Electric system

No.	English name	Qty	ERP No.	No.	English name	Qty	ERP No.
1	Pen Head Self-tapping Screw; 3.2x12	6	111151				
2	Headlight Assembly	1付	606245				
3	Gear Indicator ATA200-D	1	606254				
4	Remote Control / Alarm	1	100394				
5	Locknut; M6	1	105272				
6	Ignition Key Switch For 110cc Utility ATVs; 4 Wire	1	100699				
7	Wire Harness	1	606243				
8	Hex Flange Bolt; M6x16	1	105140				
9	Regulator	1	100733				
10	CDI ATA125-D; 5 Pin	1	100667				
11	Starter Relay / Solenoid for All ATVs	1	101384				
12	Reflector; Rectangre; Red for E1, 250 and more	1	100907				
13	Locknut; M6	2	105272				
14	Tail Lights Assembly	1	112844				
15	Ignition Coil	1	101008				
16	Locknut; M6	1	105272				
17	Hex Flange Bolt; M6x16	1	105140				
18	Battery Strap; L:200mm	2	100681				
19	12V Battery for ATVs; 12V 5Ah	1	100677				



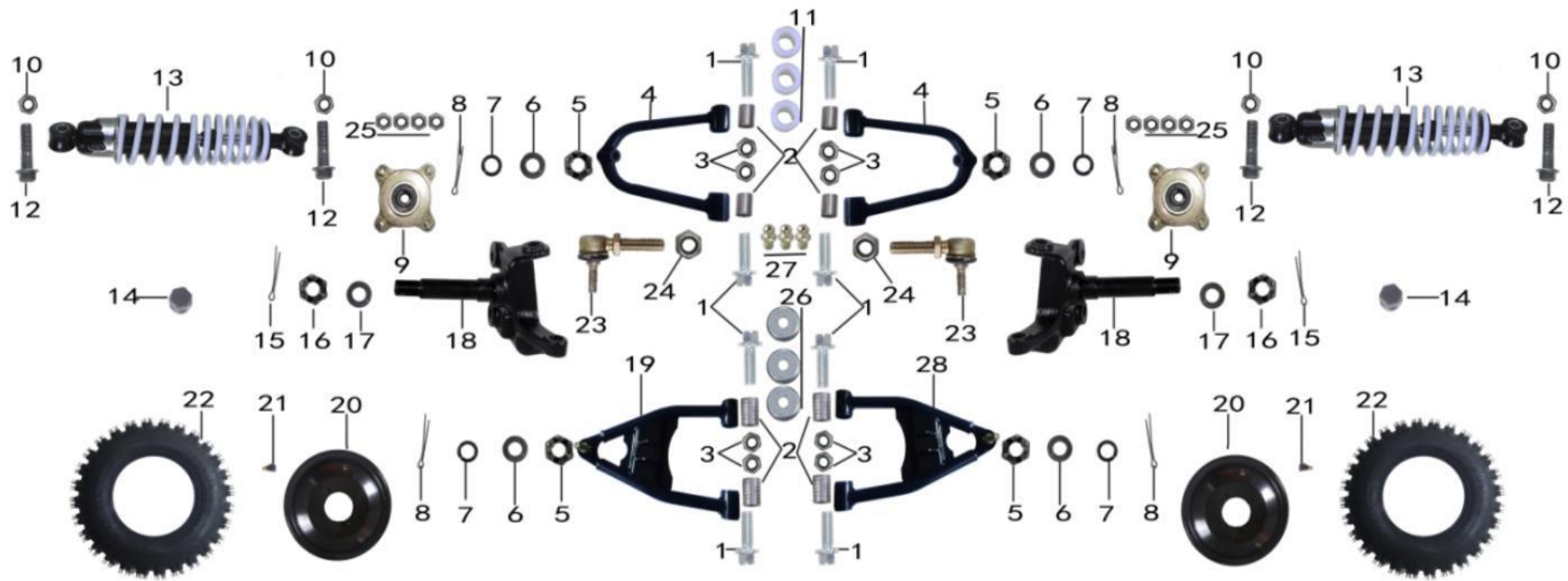
动力系统Engine system

No.	English name	Qty	ERP No.	No.	English name	Qty	ERP No.
1	Front Exhaust Pipe	1	111561	27	Fuel Line;	3	100273
2	Self-locking nut;M6	2	105885	28	Cross Large Flat Head Bolt; M6x20	1	110552
3	Mummier Gasket; OD: 21.5mm ID: 22.5mm	1	102419	29	Tube Fasten Clip; Ø8	8	101449
4	Intake Manifold Rubber Pad	1	606291	30	hex socket bolt; M6x16	1	600672
5	Intake Manifold Gasket	1	111640	31	Locknut; M6	1	105272
6	Intake Manifold	1	117337	32	Fuel Valve /	1	102241
7	Hex Nut; M8x20	4	105712	33	Cross Large Flat Head Bolt; M8x20	1	600680
8	Aluminum Exhaust Pipe	1	116308	34	Fuel Tank Filter Washer	1	600710
9	Hex Flange Bolt; M8x35	2	105230	35	Foot gear lever	1	604653
10	Spacer	2	115633	36	hex flange bolt; M6x20	1	105141
11	Electric Choke Carburetor ; PZ22	1	101342	37	Locknut; M8	2	105276
12	Air Filter	1	115427				
13	120cc Auto w/Reverse, Elec. Start Engine	1	604264				
14	Engine Sprocket Covers	1	110975				
15	Hex Flange Bolt; M8x110	1	116864				
16	Hex Nut; M8x20	2	105712				
17	Hex Bolt; M8x16	4	105194				
18	Hex Bolt; M8x120	1	116865				
19	Self-locking nut;M8	2	105887				
20	Fuel Tank-ATV; @50	1	102297				
21	Pedals Shockproof Rubber Parts	1	600709				
22	Fuel Line; φ4.5×φ8.5×100	1	100269				
23	Fuel Tank Cap	1	101678				
24	Fuel Tank Cap Vent Tube	1	600566				
25	Fuel Filter Universal	2	600801				
26	Fuel Line; φ4.5×φ8.5×200	2	100271				



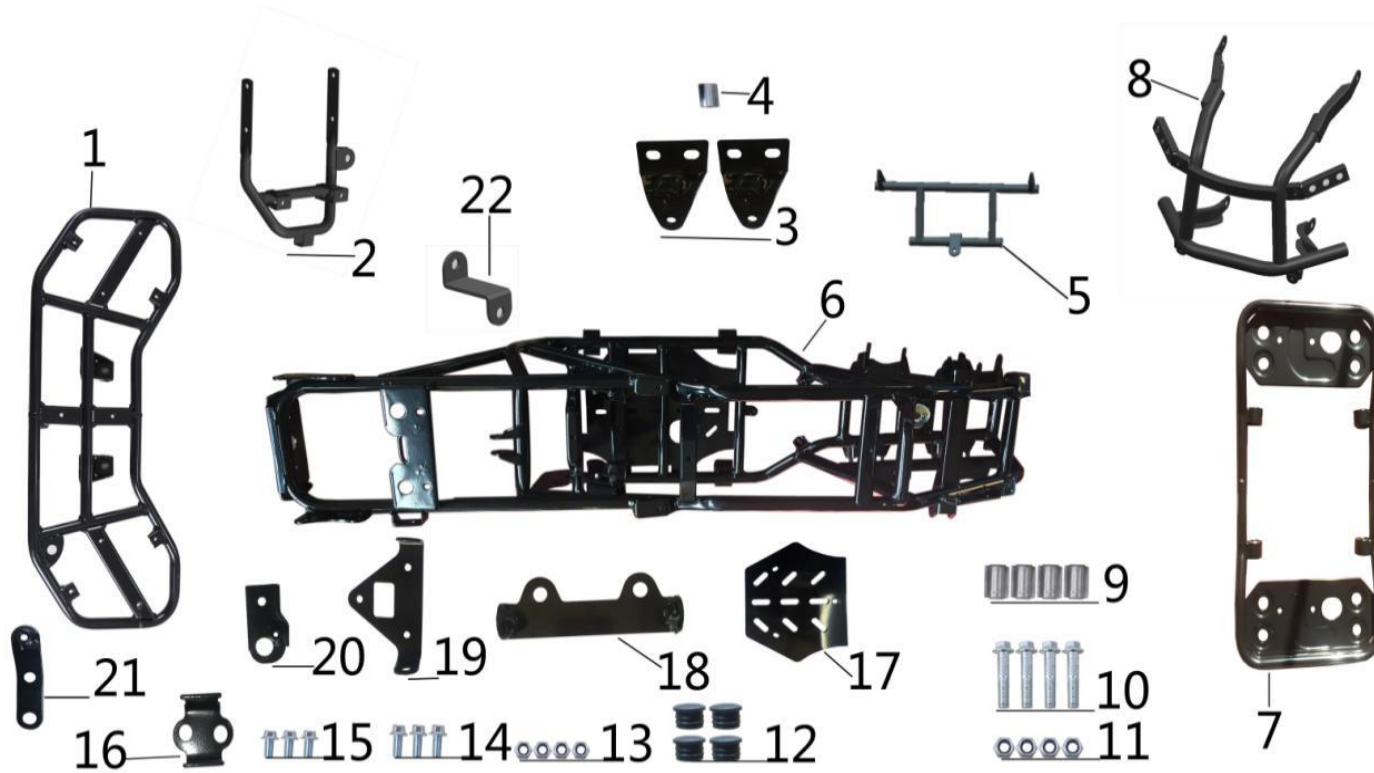
后悬挂系统Rear suspension system

No.	English name	Qty	ERP No.	No.	English name	Qty	ERP No.
1	Rear Sprocket; 428-45	1	101591	27	Swing Arm Sealing Cover; φ20×10	2	112924
2	Chain Cover	1	603886	28	Locknut; M8	8	105277
3	#428 Drive Chain; 428- 04Chain	1	116307	29	Chain Adjuster; M8×40	2	105926
4	Hex Flange Bolt; M8×1.25×16	4	105195	30	Ball Bearing; 6006	2	102817
5	Rear Axle Washer; φ27	2	600804	31	ATV Swing Arm Rear Axle Carrier	1	603849
6	Hex Flange Bolt; M8x14	8	105187	32	Rear Axle Carrier for Chain Suspension	1	600540
7	Hex Nut; M27×1.5	4	104862	33	Rear Axle Carrier for Chain Suspension	1	109837
8	Rear Disk Brake Rotor ATA135 YK 0100	1	116302	34	Chain Spring	1	112928
9	Brake Disc/Sprocket hub for ATA 110 R/R1 and	2	100866	35	Chain ension Wheel	1	112927
10	Plastic Skid Plate ; PP	1	603888	36	Hex flange bolt; M8x16	1	105234
11	Cotter Pin; φ3×40	2	105340	37	Hex flange bolt; M10×1.5×25	4	104984
12	Castle Nut; M20×1.5	2	105334	38	Locknut; M12×1.25	1	105259
13	Spring Washer	2	104876	39	Hex flange bolt; M8x16	1	105077
14	Flat Washer; φ20*φ48*4	2	600583	40	Swing Arm Spacer ; φ18×φ12×219.5	1	112922
15	Rear Rim Hub fits on all 8 & 10" tires for VFL07 and	2	100870	41	Grease Fitting; M6x9	1	108287
16	Hub Bolt; M10×30	8	109369	42	Swing Arm wear- Resisting Rubber	1	112923
17	Hex Flange Bolt; M8x12	2	105180				
18	Rear Axle	1	116301				
19	Rear Iron Rim Hub; 8"	2	606640				
20	Valve Stems for Air ATVs and Gas Karts	2	100537				
21	Hex Flange Bolt; M10×1.25×40	2	105006				
22	Dust Cover ATA 135 D5	2	108326				
23	8" Tire; 18*9.5-8	2	101286				
24	Rear Shock Assembly ; 210mm	1	116303				
25	Locknut; M10×1.25	2	105254				
26	Swing Arm Spacer Powder Metallurgy	2	112921				



前悬挂系统Front suspension system

No.	English name	Qty	ERP No.	No.	English name	Qty	ERP No.
1	Hex Flange Bolt; M10x1.25x30	8	105027	27	Grease Fitting; M6x9	8	108287
2	Front Rocker Arm Spacer ATA125-K	8	112931	28	Lower Right A-Arm	1	604754
3	Locknut; M10x1.25	8	105254				
4	Upper A-Arm ATA125-K	2	603855				
5	Castle Nut; M10x1.25	8	105320				
6	Flat washer; φ20xφ10x1.5	4	105393				
7	Spring Washer; M10	4	104868				
8	Cotter Pin; φ2.5x30	4	105338				
9		1套	102441				
10	Hex Flange Bolt; M10x1.25	4	105253				
11	Nylon bushing ATA125-K; φ20xφ25xφ18x20	16	112930				
12	Hex Flange Bolt; M10x1.25x40	4	105006				
13	Front Shock Assembly ATA125-K; 215mm	2	116304				
14	Dust Cover ATA 135 D5	2	108326				
15	Cotter Pin; φ3x40	2	105340				
16	Castle Nut; M14x1.5	2	105326				
17	Flat Washer; φ14xφ40x2	2	105414				
18	Front Spindle (Pair)	1付	102894				
19	Lower Left A-Arm ATA125-K	1	604752				
20	Front Iron Rim Hub	2	606641				
21	valve stems for Air Sealers	2	100537				
22	8" Tire; 19x7-8	2	102015				
23	The ROD END ATA125-K; M14x1.5x60	2	101486				
24	Locknut; M14*15	2	105263				
25	Acorn Nut; M8	8	105289				
26	ROCKER ARM Sealing Cover; φ27xφ10	16	112934				



车架系统Frame system

anjiu	English name	Qty	ERP No.	No.	English name	Qty	ERP No.
1	Rear Rack	1	602433				
2	Rear Lifter	1	603843				
3	Engine Mount Bracket ATA12F-K	2	603859				
4	Engine pylon spacer ; ATA12F-K	1	112917				
5	Rack Supporting Bracket- Part ATA12F-K	1	606238				
6	Main Frame	1	603833				
7	Foot Plate ATA125-K	1	603837				
8	Front Bumper ATA125-K	1	606242				
9	Bushing; 10x30x35	4	101355				
10	Hex Flange Bolt; M10x55x1.25	4	105015				
11	Locknut; M10x1.25	4	105254				
12	Metal Tube Rubber Cap; φ22	4	102415				
13	Locknut; M8	8	105276				
14	Hex Flange Bolt; M8x1.25x25	4	105212				
15	Hex Flange Bolt; M8x16	4	105194				
16	Electric Parts Bracket	1	603845				
17	Rear Axle Hub Protector	1	603868				
18	Speedometer Bracket	1	603870				
19	Gauge Mounting Bracket	1	603847				
20	Fuel Tank Switch Bracket	1	603872				
21	Fixed Chain Cover seat	1	603874				
22	Aluminum Exhaust Pipe connection seat	1	604762				